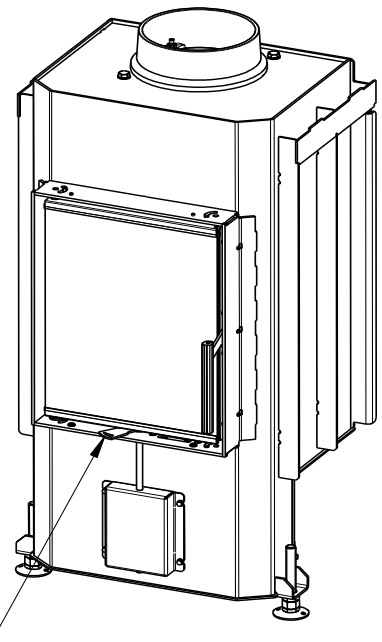
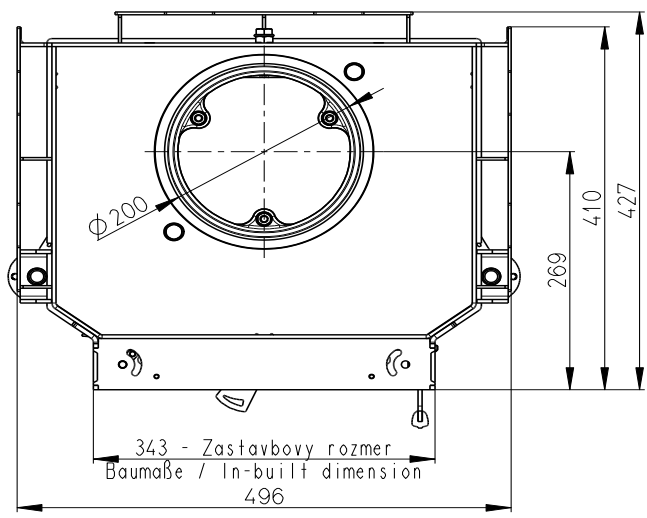
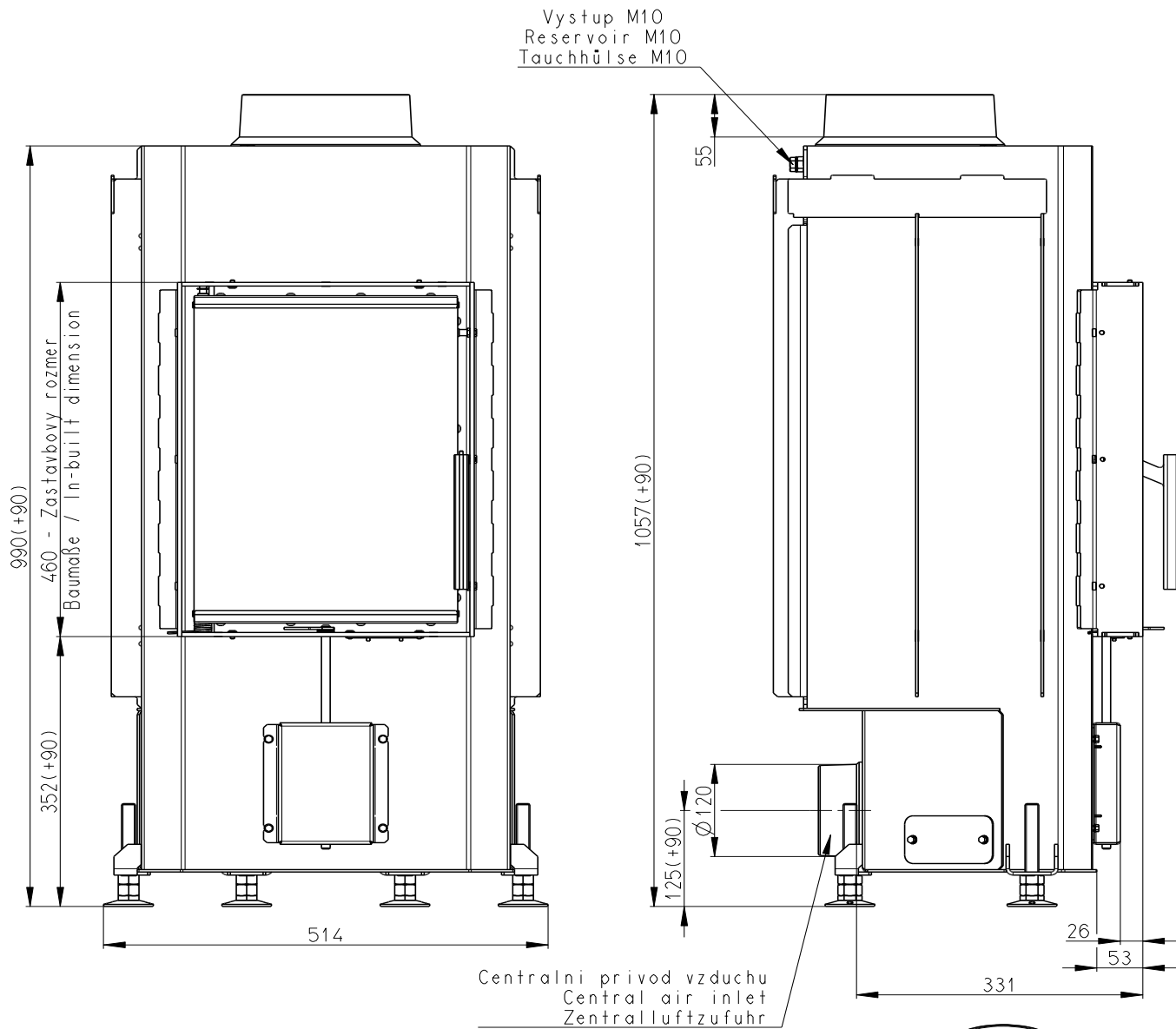


# KV DYNAMIC 2G 35.46.01



Artikl	D2K 01
--------	--------

#### General data

Nominal heat output	kW	4,0
Efficiency	%	80,37
Mass of the test fuel fired hourly	kg/h	1,15
Dry flue gases mass flow	g/s	2,9
Mean flue gas temperature	°C	247
Flue draught	Pa	12
Weight	kg	135
CO <sub>2</sub>	%	8,97

#### Recommended values

Reg.output	kW	2 – 5,2
Max. mass of the test fuel fired hourly	kg/h	3,5
Min. cross section of convect air inlet for nominal output	cm <sup>2</sup>	880
Min. cross section of convect air outlet for nominal output	cm <sup>2</sup>	1120
Combustion air requirement	m <sup>3</sup> /h	16,2
Flue gas connector diameter	mm	150 - 200

#### Meets requirement limit values for

EN 13 229	•
BImSch V 1	•
BImSch V 2	•
DIN plus	•
15a B-VG	•

#### Supplied accessories

Holder with magnet	•
Hook to open the ashtray	•
Ashtray	•