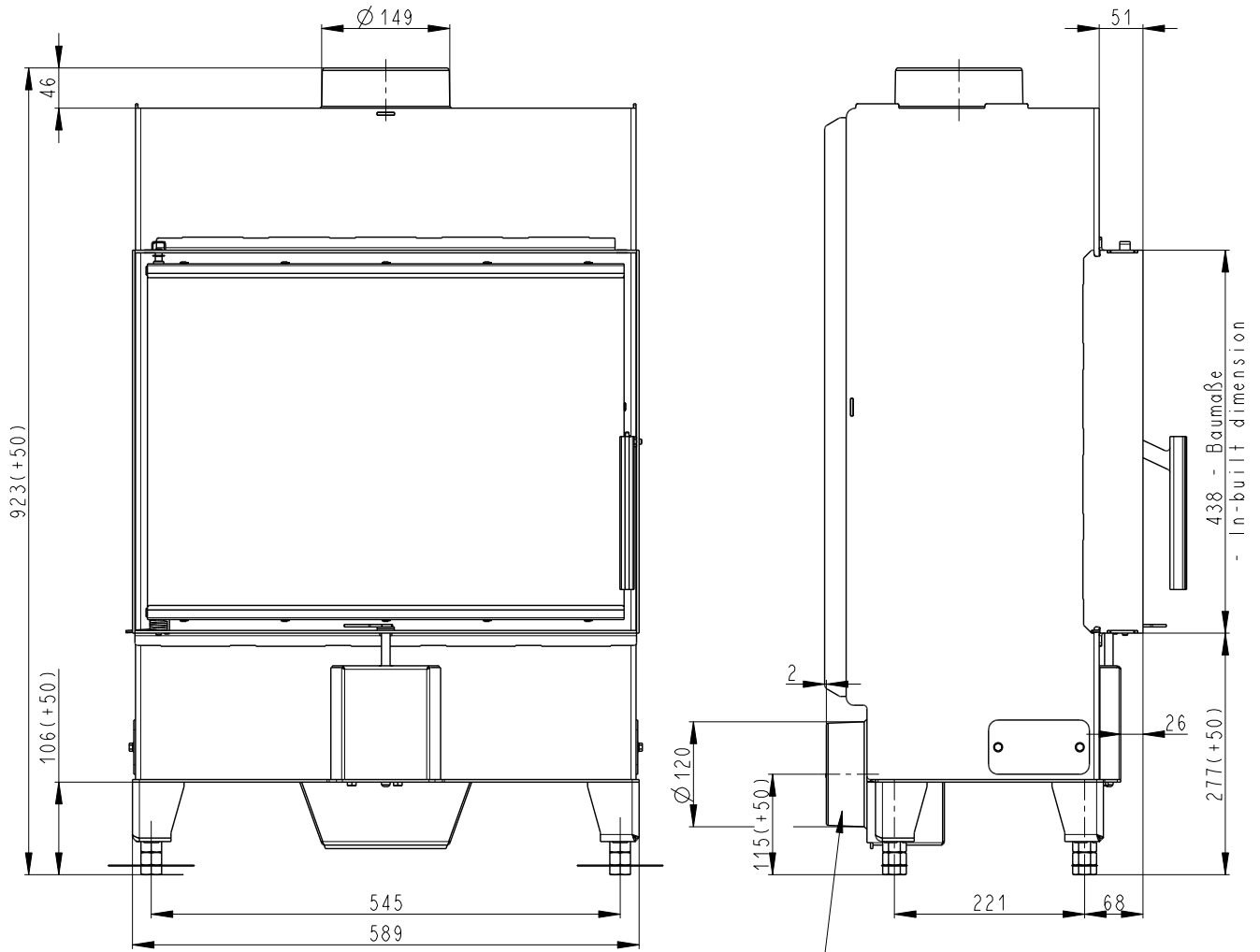
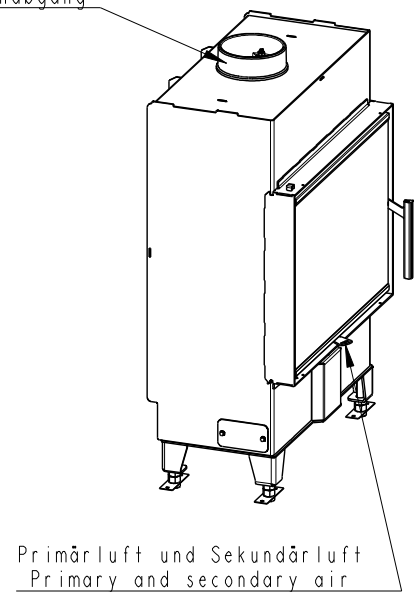
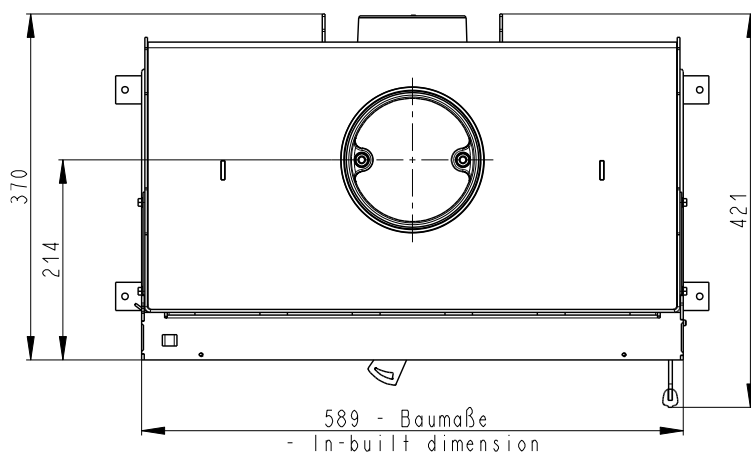


HEAT 2G 59.44.13



Central air inlet
Zentralluftzufuhr

Cast iron spigot
Der gusseiserne Rauchabgang



Primärluft und Sekundärluft
Primary and secondary air

Artikl	H2T 13
--------	--------

General data

Nominal heat output	kW	4,8
Efficiency	%	83
Mass of the test fuel fired hourly	kg/h	1,4
Dry flue gases mass flow	g/s	3,7
Mean flue gas temperature	°C	235
Flue draught	Pa	12
Weight	kg	117
CO ₂	%	10,6

Recommended values

Reg.output	kW	2,5 – 7
Max. mass of the test fuel fired hourly	kg/h	3
Min. cross section of convect air inlet for nominal output	cm ²	880
Min. cross section of convect air outlet for nominal output	cm ²	1120
Combustion air requirement	m ³ /h	11,3
Flue gas connector diameter	mm	150

Meets requirement limit values for

EN 13 229	•
BImSch V 1	•
BImSch V 2	•
DIN plus	•
15a B-VG	•

Supplied accessories

Holder with magnet	•
Hook to open the ashtray	•
Ashtray	•